



**PRO**

**GNH18V-50-2M**

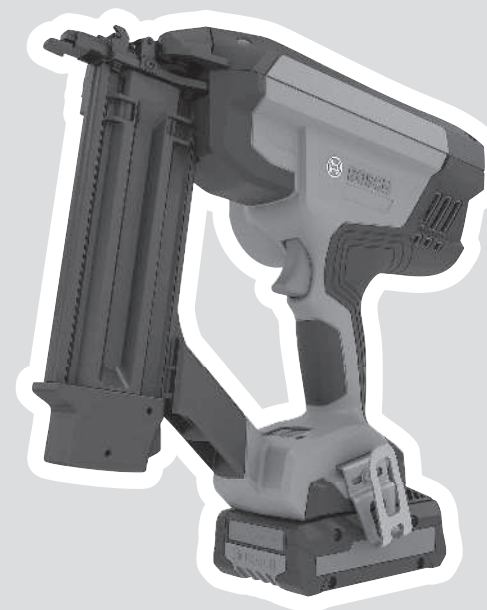
**Robert Bosch Power Tools GmbH**  
70538 Stuttgart  
GERMANY

[www.bosch-pt.com](http://www.bosch-pt.com)

1 609 92A C7P (2026.03) TAG / 21



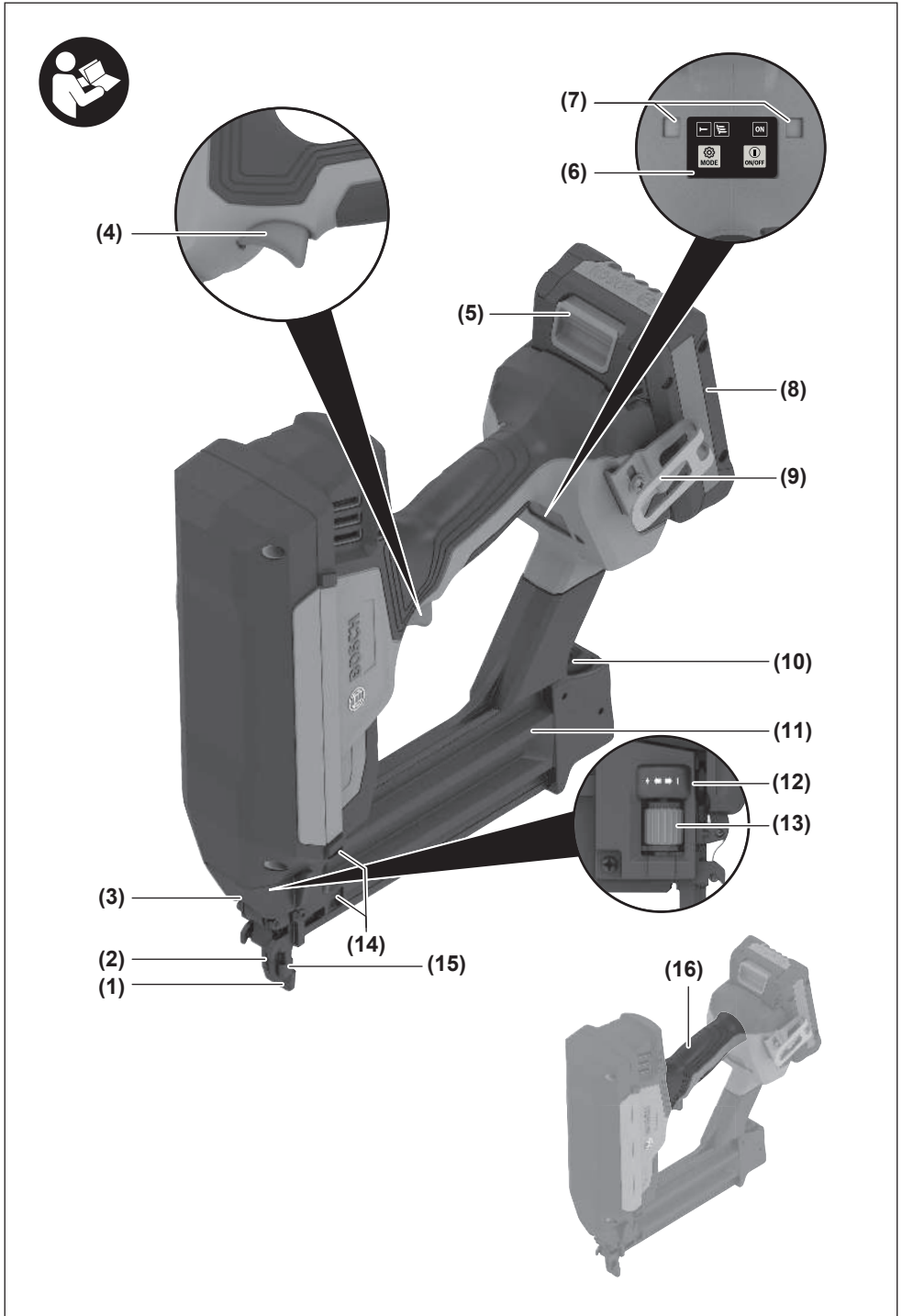
1 609 92A C7P

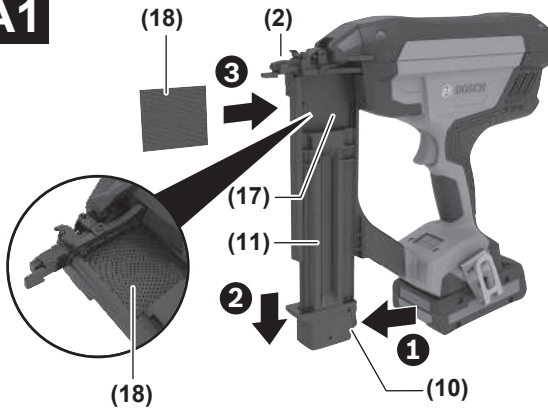
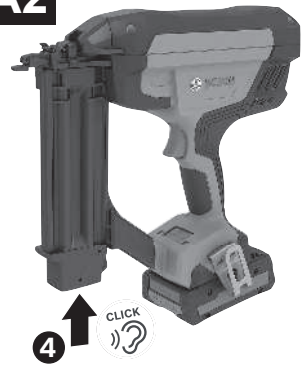
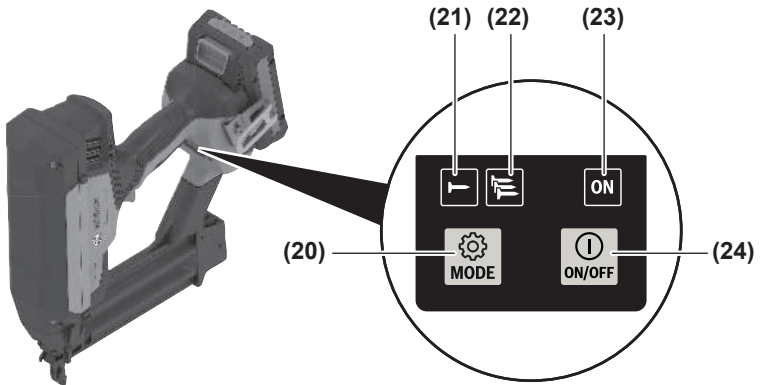
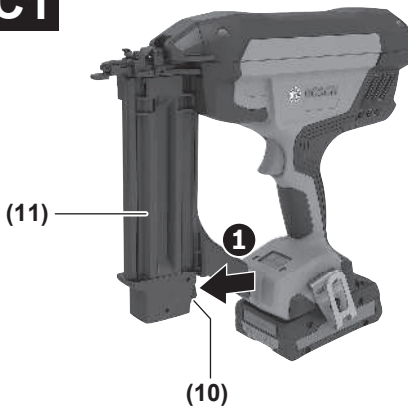
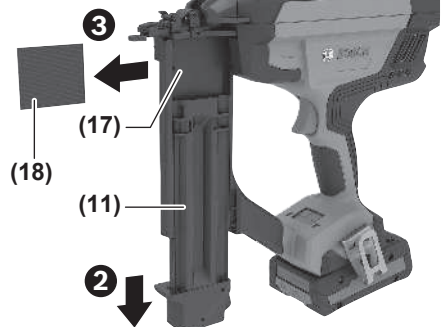


en Original instructions







**A1****A2****B****C1****C2**



# English

## Safety instructions

### General Power Tool Safety Warnings

**⚠️ WARNING** Read all safety warnings, instructions, illustrations and specifications provided with this power tool. Failure to follow all instructions listed below may result in electric shock, fire and/or serious injury.

**Save all warnings and instructions for future reference.**

The term "power tool" in the warnings refers to your mains-operated (corded) power tool or battery-operated (cordless) power tool.

#### Work area safety

- ▶ **Keep work area clean and well lit.** Cluttered or dark areas invite accidents.
- ▶ **Do not operate power tools in explosive atmospheres, such as in the presence of flammable liquids, gases or dust.** Power tools create sparks which may ignite the dust or fumes.
- ▶ **Keep children and bystanders away while operating a power tool.** Distractions can cause you to lose control.

#### Electrical safety

- ▶ **Do not expose power tools to rain or wet conditions.** Water entering a power tool will increase the risk of electric shock.

#### Personal safety

- ▶ **Stay alert, watch what you are doing and use common sense when operating a power tool. Do not use a power tool while you are tired or under the influence of drugs, alcohol or medication.** A moment of inattention while operating power tools may result in serious personal injury.
- ▶ **Use personal protective equipment. Always wear eye protection.** Protective equipment such as a dust mask, non-skid safety shoes, hard hat or hearing protection used for appropriate conditions will reduce personal injuries.
- ▶ **Prevent unintentional starting. Ensure the switch is in the off-position before connecting to power source and/or battery pack, picking up or carrying the tool.** Carrying power tools with your finger on the switch or engaging power tools that have the switch on invites accidents.
- ▶ **Remove any adjusting key or wrench before turning the power tool on.** A wrench or a key left attached to a rotating part of the power tool may result in personal injury.
- ▶ **Do not overreach. Keep proper footing and balance at all times.** This enables better control of the power tool in unexpected situations.

- ▶ **Dress properly. Do not wear loose clothing or jewellery. Keep your hair and clothing away from moving parts.** Loose clothes, jewellery or long hair can be caught in moving parts.
- ▶ **If devices are provided for the connection of dust extraction and collection facilities, ensure these are connected and properly used.** Use of dust collection can reduce dust-related hazards.
- ▶ **Do not let familiarity gained from frequent use of tools allow you to become complacent and ignore tool safety principles.** A careless action can cause severe injury within a fraction of a second.

#### Power tool use and care

- ▶ **Do not force the power tool. Use the correct power tool for your application.** The correct power tool will do the job better and safer at the rate for which it was designed.
- ▶ **Do not use the power tool if the switch does not turn it on and off.** Any power tool that cannot be controlled with the switch is dangerous and must be repaired.
- ▶ **Disconnect the plug from the power source and/or remove the battery pack, if detachable, from the power tool before making any adjustments, changing accessories, or storing power tools.** Such preventive safety measures reduce the risk of starting the power tool accidentally.
- ▶ **Store idle power tools out of the reach of children and do not allow persons unfamiliar with the power tool or these instructions to operate the power tool.** Power tools are dangerous in the hands of untrained users.
- ▶ **Maintain power tools and accessories. Check for misalignment or binding of moving parts, breakage of parts and any other condition that may affect the power tool's operation. If damaged, have the power tool repaired before use.** Many accidents are caused by poorly maintained power tools.
- ▶ **Keep cutting tools sharp and clean.** Properly maintained cutting tools with sharp cutting edges are less likely to bind and are easier to control.
- ▶ **Use the power tool, accessories and tool bits etc. in accordance with these instructions, taking into account the working conditions and the work to be performed.** Use of the power tool for operations different from those intended could result in a hazardous situation.
- ▶ **Keep handles and grasping surfaces dry, clean and free from oil and grease.** Slippery handles and grasping surfaces do not allow for safe handling and control of the tool in unexpected situations.

#### Battery tool use and care

- ▶ **Recharge only with the charger specified by the manufacturer.** A charger that is suitable for one type of battery pack may create a risk of fire when used with another battery pack.

- ▶ **Use power tools only with specifically designated battery packs.** Use of any other battery packs may create a risk of injury and fire.
- ▶ **When battery pack is not in use, keep it away from other metal objects, like paper clips, coins, keys, nails, screws or other small metal objects, that can make a connection from one terminal to another.** Shorting the battery terminals together may cause burns or a fire.
- ▶ **Under abusive conditions, liquid may be ejected from the battery; avoid contact. If contact accidentally occurs, flush with water. If liquid contacts eyes, additionally seek medical help.** Liquid ejected from the battery may cause irritation or burns.
- ▶ **Do not use a battery pack or tool that is damaged or modified.** Damaged or modified batteries may exhibit unpredictable behaviour resulting in fire, explosion or risk of injury.
- ▶ **Do not expose a battery pack or tool to fire or excessive temperature.** Exposure to fire or temperature above 130°C may cause explosion.
- ▶ **Follow all charging instructions and do not charge the battery pack or tool outside the temperature range specified in the instructions.** Charging improperly or at temperatures outside the specified range may damage the battery and increase the risk of fire.

#### Service

- ▶ **Have your power tool serviced by a qualified repair person using only identical replacement parts.** This will ensure that the safety of the power tool is maintained.
- ▶ **Never service damaged battery packs.** Service of battery packs should only be performed by the manufacturer or authorized service providers.

#### Nailer safety warnings

- ▶ **Always assume that the nailer contains fasteners.** Careless handling of the nailer may result in unexpected firing of fasteners and personal injury.
- ▶ **Disconnect the tool from the power source when loading and unloading fasteners, making adjustments or changing accessories.** The tool may be accidentally activated if it is connected to the power source, which may result in personal injury.
- ▶ **Be careful when handling fasteners, especially when loading and unloading.** The fasteners have sharp points which may result in personal injury.
- ▶ **Do not point the nailer towards yourself or anyone nearby.** Unexpected triggering will discharge a fastener, which may result in personal injury.
- ▶ **Keep fingers away from trigger when not operating the nailer and when moving from one operating position to another.** Unexpected triggering will discharge a fastener, which may result in personal injury.
- ▶ **Hold the nailer by insulated gripping surfaces, when performing an operation where the fastener may contact hidden wiring.** A fastener contacting a "live" wire

may make exposed metal parts of the nailer "live" and could give the operator an electric shock.

- ▶ **Hold the nailer with a firm grasp during operation.** Uncontrolled recoil of the nailer may result in unintended activation, which may result in personal injury.
- ▶ **Keep all body parts such as hands and legs, etc. away from the firing direction of the nailer.** The fastener may penetrate the workpiece as well as any object behind it, which may result in personal injury.
- ▶ **When using the nailer, keep all body parts such as hands and legs, etc. away from the area where the fastener is driven into the workpiece.** The fastener could deflect and exit the workpiece, which may result in personal injury.
- ▶ **Do not actuate the nailer unless the nailer is placed firmly against the workpiece.** If the nailer is not in contact with the workpiece, the fastener may be deflected away from the workpiece, which may result in personal injury.
- ▶ **Do not use this nailer for fastening electrical cables.** It is not designed for electric cable installation and may damage the insulation of electric cables, thereby causing electric shock or fire hazards.
- ▶ **Disconnect the nailer from the power source if a fastener jams in the nailer.** While removing a jammed fastener, the nailer may be accidentally activated if it is connected to the power source, which may result in personal injury.
- ▶ **Use caution while removing a jammed fastener.** The mechanism may be under compression and the fastener may be forcefully discharged, which may result in personal injury.
- ▶ **Use suitable detectors to determine if there are hidden supply lines or contact the local utility company for assistance.** Contact with electric cables can cause fire and electric shock. Damaging gas lines can lead to explosion. Breaking water pipes causes property damage.
- ▶ **In case of damage and improper use of the battery, vapours may be emitted. The battery can set alight or explode.** Ensure the area is well ventilated and seek medical attention should you experience any adverse effects. The vapours may irritate the respiratory system.
- ▶ **Do not modify or open the battery.** There is a risk of short-circuiting.
- ▶ **The battery can be damaged by pointed objects such as nails or screwdrivers or by force applied externally.** An internal short circuit may occur, causing the battery to burn, smoke, explode or overheat.
- ▶ **Only use the battery in the manufacturer's products.** This is the only way in which you can protect the battery against dangerous overload.



**Protect the rechargeable battery against heat, e.g. including prolonged sun exposure, fire, water, and moisture.** There is a risk of explosion and short circuit.

## Symbols and their meaning

The following symbols may be important for the operation of your power tool. Please take note of these symbols and their meaning. Correctly interpreting the symbols will help you to operate the power tool more effectively and safely.

### Symbols and their meaning



**Wear hearing protection.** Exposure to noise can cause hearing loss.



**Wear safety goggles.**

## Product Description and Specifications



### Read all the safety and general instructions.

Failure to observe the safety and general instructions may result in electric shock, fire and/or serious injury.

Please observe the illustrations at the beginning of this operating manual.

### Intended Use

The power tool is intended for connecting work in roofing, encasing and battening, as well as manufacturing wall and ceiling elements, wood facades, pallets, wood fences, noise-reduction walls and boxes.

Only the fasteners (nails, staples, etc.) specified in the "Technical Data" table may be used.

**Note:** The power tool is not suitable for driving nails into metal or concrete.

Please do not use the power tool in contact actuation mode with automatic return while working on scaffolding, ladders or other platforms and when a change of working position is required. In this case, only use the single actuation mode with backup sequence.

### Product Features

The numbering of the product features refers to the diagram of the power tool on the graphics page.

- (1) Workpiece protector
- (2) Outlet
- (3) Clamping lever for opening/closing the shot duct
- (4) Trigger
- (5) Battery release button
- (6) User interface
- (7) Worklight
- (8) Rechargeable battery
- (9) Belt hook
- (10) Switch for opening the magazine
- (11) Magazine slider
- (12) Depth stop adjustment indicator
- (13) Thumbwheel for depth stop adjustment
- (14) Viewing window of the reload indicator
- (15) Discharge lock-off
- (16) Handle (insulated gripping surface)
- (17) Magazine
- (18) Nail strip<sup>a)</sup>
- (19) Storage for workpiece protector

#### User interface

- (20) Mode button
- (21) Single actuation indicator
- (22) Contact actuation indicator
- (23) On/off indicator
- (24) On/off switch

a) **This accessory is not part of the standard scope of delivery.**

### Technical Data

| Cordless nailer   |    | GNH18V-50-2M            |
|---|----|-------------------------|
| Article number  |    | <b>3 601 D82 C..</b>    |
| Rated voltage   | V= | 18                      |
| Actuation modes   |    |                         |
| – Single actuation with safety run  |    | ●                       |
| – Contact actuation with automatic return                                       |    | ●                       |
| Fastener  |    |                         |
| – Type  |    | Brads                   |
| – Length  | mm | 16–50                   |
| – Diameter  | mm | 1.2                     |
|   | ga | 18                      |
| – Angle   |    | 0°                      |
| Max. magazine capacity (standard magazine)                                      |    | 110                     |
| Dimensions (without battery)  |    |                         |
| – Height  | mm | 272                     |
| – Width   | mm | 108                     |
| – Length with workpiece protector   | mm | 308                     |
| Weight <sup>A)</sup>  | kg | 2.4                     |
| Recommended ambient temperature during charging                                 | °C | 0 to +35                |
| Permitted ambient temperature during operation <sup>B)</sup> and during storage | °C | –20 to +50              |
| Compatible rechargeable batteries   |    | GBA18V...<br>GBA 18V... |

|                        |                     |
|------------------------|---------------------|
| <b>Cordless nailer</b> | <b>GNH18V-50-2M</b> |
|------------------------|---------------------|

|  |   |
|--|---|
|  | ProCORE18V...<br>EXPERT18V...<br>EXBA18V...<br>CORE18V...                                     |
| Recommended rechargeable batteries for maximum performance | ProCORE18V...<br>≥ 4.0 Ah<br>EXPERT18V...   |
| Recommended battery chargers                               | GAL18...<br>GAL 18...<br>GAL 36...<br>GAL12V/18...<br>GAL 12V/18...<br>GAX 18...<br>EXAL18... |

A) Without rechargeable battery (you can find the battery weight at [www.bosch-professional.com](http://www.bosch-professional.com))

B) Limited performance at temperatures < 0 °C

Values can vary depending on the product, scope of application and environmental conditions. To find out more, visit [www.bosch-professional.com/wac](http://www.bosch-professional.com/wac).

## Noise/Vibration Information

Noise emission values determined according to **EN IEC 62841-2-16**.

Typically, the A-weighted noise level of the power tool is: Sound pressure level **88 dB(A)**; sound power level **97 dB(A)**. Uncertainty K = **3 dB**.

### Wear hearing protection!

Vibration values  $a_h$  (continuous vibrations),  $p_f$  (repeated shock vibrations) and uncertainty K determined according to **EN IEC 62841-2-16**:

$a_h = 2.6 \text{ m/s}^2$  (K = **1.5 m/s}^2**),  $p_f = 685 \text{ m/s}^2$  (K = **30 m/s}^2**)

The vibration level and noise emission value given in these instructions have been measured in accordance with a standardised measuring procedure and may be used to compare power tools. They may also be used for a preliminary estimation of vibration and noise emissions.

The stated vibration level and noise emission value represent the main applications of the power tool. However, if the power tool is used for other applications, with different accessories or is poorly maintained, the vibration level and noise emission value may differ. This may significantly increase the vibration and noise emissions over the total working period.

To estimate vibration and noise emissions accurately, the times when the tool is switched off or when it is running but not actually being used should also be taken into account. This may significantly reduce vibration and noise emissions over the total working period.

Implement additional safety measures to protect the operator from the effects of vibration, such as servicing the power tool and accessories, keeping their hands warm, and organising workflows correctly.

## Rechargeable battery

**Bosch** sells some cordless power tools without a rechargeable battery. You can tell whether a rechargeable battery is included with the power tool by looking at the packaging.

### Charging the battery

► **Use only the chargers listed in the technical data.** Only these chargers are matched to the lithium-ion battery of your power tool.

**Note:** Lithium-ion rechargeable batteries are supplied partially charged according to international transport regulations. To ensure full rechargeable battery capacity, fully charge the rechargeable battery before using your tool for the first time.

### Inserting the Battery

Push the charged battery into the battery holder until it clicks into place.

### Removing the Battery



To remove the rechargeable battery, press the battery release button and pull the battery out. **Do not use force to do this.**

The rechargeable battery has two locking levels to prevent the battery from falling out if the battery release button is pressed unintentionally. The rechargeable battery is held in place by a spring when fitted in the power tool.

### Battery charge indicator

Note: Not all battery types have a battery charge indicator.

The green LEDs on the battery charge indicator indicate the state of charge of the battery. For safety reasons, it is only possible to check the state of charge when the power tool is not in operation.

Press the button for the battery charge indicator  or  to show the state of charge. This is also possible when the battery is removed.

If no LED lights up after pressing the button for the battery charge indicator, then the battery is defective and must be replaced.

The state of charge of the battery is also displayed on the user interface (see "Status indications", page 12).

### Rechargeable battery type GBA 18V... | GBA18V...



| LED                       | Capacity |
|---------------------------|----------|
| 3× continuous green light | 60–100 % |
| 2× continuous green light | 30–60 %  |
| 1× continuous green light | 5–30 %   |
| 1× flashing green light   | 0–5 %    |

### Battery model ProCORE18V... | EXPERT18V... | EXBA18V... | CORE18V...

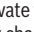



| LED                        | Capacity |
|----------------------------|----------|
| 5 × continuous green light | 80–100 % |
| 4 × continuous green light | 60–80 %  |
| 3 × continuous green light | 40–60 %  |
| 2 × continuous green light | 20–40 %  |
| 1 × continuous green light | 5–20 %   |
| 1 × flashing green light   | 0–5 %    |


### Battery defect risk detection

#### EXPERT18V... | EXBA18V...

In addition to the state of charge of the rechargeable battery, the LEDs on the battery charge indicator can also indicate the risk of a battery defect.

To activate the function, press and hold the button for the battery charge indicator  for 3 seconds. The analysis of the battery is signalled by a moving light on the battery charge indicator. The result of is shown on the battery charge indicator.

 **1 LED:** The rechargeable battery has a high defect risk. Performance and runtime may already be reduced. Replacing the rechargeable battery is recommended.

 **5 LEDs:** The rechargeable battery is in good condition and has a low defect risk.

**Please note:** The rechargeable battery defect risk assessment works in a binary manner and offers a simplified status assessment, indicating either that the rechargeable battery is in good condition or that the rechargeable battery has an increased defect risk. A percentage of the battery status is not shown.

### Recommendations for Optimal Handling of the Battery

Protect the battery against moisture and water.

Only store the battery within a temperature range of –20 to 50 °C. Do not leave the battery in your car in the summer, for example.

Occasionally clean the ventilation slots on the battery using a soft brush that is clean and dry.

A significantly reduced operating time after charging indicates that the battery has deteriorated and must be replaced. Follow the instructions on correct disposal.

### Assembly

► **Before carrying out any work on the power tool (e.g. maintenance, tool change etc.), remove the battery from the power tool.** There is risk of injury from unintentionally pressing the on/off switch.

► **Always place the power tool down on its side and do not lay it on the battery.** The power tool can tip over depending on the application tool and battery used.

### Loading the magazine (see figures A1–A2)

► **Remove the rechargeable battery before adjusting the tool settings, changing accessories, or storing the power tool.** This safety measure prevents the power tool from being started accidentally.

**Use only original Bosch accessories.** The power tool's precision parts, such as the magazine, outlet and shot duct, are adapted to **staples, nails and pins** from **Bosch**. Other manufacturers use different steel grades and sizes.

**Note:** Only use fasteners specified in the "Technical Data" table.

Using unapproved fasteners can damage the power tool and cause injuries.

When loading the magazine, hold the power tool in such a manner that the outlet **(2)** is not pointed at your body or at other persons.

- Press the switch **(10)** to open the magazine. The magazine slider **(11)** extends.
- Insert the nail strip **(18)** in the top left part of the magazine **(17)**.

**Note:** Mechanical monitoring detects whether nails can be found in the magazine. If the discharge lock-off is depressed when the magazine is empty, no discharging procedure is triggered. Blank firing is thus prevented.

- Push the magazine slider **(11)** to the beginning of the magazine until the magazine slider engages.

**Note:** The magazine slider must slide back with only low force (finger-pressure). A jammed magazine slider has the following effects: The nail is not discharged, the nail gets caught in the shot duct (see jam) or the nail is discharged at the wrong angle.

## Operation

### Actuation systems

#### Single actuation with safety run

With this actuation system, the discharge lock-off **(15)** must first be firmly pressed against the workpiece. A fastener is not discharged until the trigger **(4)** is pulled.

Afterwards, further discharging procedures can only be actuated when the trigger and the discharge lock-off have been set back to the starting position.

#### Contact actuation with automatic return

With this actuation system, the trigger **(4)** must be pulled first and held in this position. Afterwards, the discharge lock-off must be firmly pressed against the workpiece in order to discharge the fastener. Further discharging procedures can be actuated by repositioning it elsewhere while the trigger **(4)** is pushed.

In **contact actuation** mode, a nail can also be driven in with single actuation.

## Starting Operation

### Switching On and Off on the User Interface (see figure B)

- To **switch on** the power tool, press the on/off button **(24)** on the user interface **(6)**.  
The worklight switches on.  
The on/off button indicator **(23)** lights up green when the tool is ready for use.  
If single actuation is activated, the display **(21)** lights up white.
- To **switch off** the power tool, press the on/off button **(24)**.

### Discharging the nails – single actuation

- Switch on the power tool.  
The worklight switches on.
- Firmly position the outlet **(2)** or the rubber workpiece protector **(1)** on the workpiece until the discharge lock-off **(15)** is pressed down completely.
- Afterwards, briefly press the trigger **(4)** and release it again.  
This discharges a nail.
- For another driving procedure, completely lift the power tool from the workpiece and position it firmly at the next required location.

### Discharging the nails – contact actuation (see figure B)

- Switch on the power tool.  
The worklight switches on.
- Activate the contact actuation by briefly pressing the mode button **(20)**.  
The contact actuation display **(22)** lights up white.
- Press and hold the trigger **(4)**.
- Firmly position the outlet **(2)** or the rubber workpiece protector **(1)** on the workpiece until the discharge lock-off **(15)** is pressed down completely.  
This discharges a nail.
- For another discharging procedure, keep the trigger **(4)** pressed and completely lift the power tool from the workpiece. Replace it firmly in the next required position.
- Switch to single actuation by pressing the mode button **(20)** again.  
The single actuation indicator **(21)** lights up white.

## Working Advice

Before starting work, always check that the safety and actuation devices are functioning correctly and that all screws and nuts are tightly seated.

If a power tool is defective or not functioning properly, disconnect it immediately from the power supply and contact an authorised Bosch after-sales service centre.

Do not perform any incorrect manipulations on the power tool. Do not disassemble or block any components of the power tool, such as the discharge lock-off.

Do not carry out "emergency repairs" with unsuitable means. The power tool is to be maintained regularly and properly.

Avoid any tampering and damage to the power tool, e. g. from:

- Imprinting or engraving,
- Retrofitting measures not approved by the manufacturer,
- Guiding along templates manufactured of hard material, e.g. steel,
- Dropping on or sliding over the floor,
- Using as a hammer,
- Applying any kind of force.

Make sure to check whatever is below or behind your workpiece. Do not shoot nails into walls, ceilings or floors, when persons are behind them. The nails can burst through the workpiece and injure someone.

Do not shoot a nail onto an already driven-in one. This could cause the nail to deform, the nails could become jammed or the power tool could move in an uncontrolled manner.

When the power tool is used under cold ambient conditions, the first nails will be driven in slower than usual. Once the power tool has warmed up during working, normal operating speed will be regained.

Avoid pulling the trigger when the magazine is empty to minimise wear on the firing pin.

For longer work breaks or after finishing work, switch off the power tool, remove the battery and empty the magazine if possible.

### Emptying the magazine (see figures C1–C2)

- Press the switch **(10)** to open the magazine. The magazine slider extends.
- Rotate the power tool so that the nail strip **(18)** slides out in the magazine.
- Then carefully guide the magazine slider forwards to the beginning of the magazine **(17)**.

### Adjusting the depth stop (see figure D)

The driving depth of the nails can be set with the thumbwheel **(13)**.

- **Nails are driven in too deep:** To reduce the driving depth, turn the thumbwheel **(13)** in the "-" direction.
- **Nails are not driven in deep enough:** To increase the driving depth, turn the thumbwheel **(13)** in the "+" direction.
- Test the new driving depth on a test workpiece.  
Repeat the worksteps as required.

### Clearing jams (see figures E1–E2)

Single nails can become jammed in the shot duct. If this should occur frequently, please contact an authorised Bosch after-sales service centre.

**Note:** If the drive pin does not return after clearing a jam, please contact an authorised Bosch after-sales service centre.

- Release the trigger **(4)**.
- Switch the power tool off and remove the battery **(8)**.
- Empty the magazine **(17)**.
- Press the clamping lever **(3)** up so that the shot duct can be opened.
- Remove the jammed nail. Use a pair of pliers for this, if required.

- Close the shot duct, hang the clip of the clamping lever **(3)** into the hooks on the shot duct and then push the clamping lever down again.
- Refill the magazine.

### Changing the workpiece protector (see figure F)

The workpiece protector **(1)** at the end of the discharge lock-off **(15)** protects the workpiece. The workpiece protector can be removed and replaced

- Release the trigger **(4)**.
- Switch the power tool off and remove the battery **(8)**.
- Empty the magazine **(17)**.
- Remove the workpiece protector from the discharge lock-off.
- Push the new workpiece protector with the open end over the discharge lock-off.

**Note:** The workpiece protector as well as a spare workpiece protector can be stored on the inside right of the connecting bridge between the battery holder and the magazine **(17)**.

For this, push the workpiece protector or both workpiece protectors **(1)** into the corresponding storage compartment **(19)**.

### Transport and Storage

For transport, switch off the power tool; especially when using ladders or moving in an unusual stance or posture.

### Status indicator for power tool

| Colour       | Meaning  | Solution  |
|--------------|--|---|
| Green        | Power tool is switched on and ready to use.  | –   |
| Yellow       | There is a problem that requires your attention: Critical temperature or battery is almost empty.  | <ul style="list-style-type: none"> <li>– Leave the power tool to cool down.</li> <li>– Replace or charge the battery.</li> </ul>  |
| Red          | The power tool is not ready for use.<br>Reason: Power tool has overheated, battery is empty or mechanical fault.   | <ul style="list-style-type: none"> <li>– Leave the power tool to cool down.</li> <li>– Replace or charge the battery.</li> <li>– Have maintenance performed.</li> </ul>   |
| Flashing red | <ul style="list-style-type: none"> <li>– The second switch was pressed too early.</li> <li>– The second switch was not pressed within 5 seconds; the tool switches off automatically.</li> <li>– The switches were pressed in the wrong order (e.g. the trigger was pressed before the tool had switched to contact actuation mode)</li> </ul> | <ul style="list-style-type: none"> <li>– Wait a short time until the status indicator display lights up green.</li> <li>– The power tool is ready for use again.</li> <li>– Perform the discharging procedure again, observing the correct order of pressing when doing so, or change the actuation mode via the user interface.</li> </ul> |

## Maintenance and Service

### Maintenance and Cleaning

- **Before carrying out any work on the power tool (e.g. maintenance, tool change etc.), remove the battery**

### Maintenance Schedule






Clean the magazine **(17)**. Remove plastic or wood shavings that may accumulate in the magazine during work. Clean the power tool at regular intervals using compressed air.

At the workplace, carry the power tool only by the handle **(16)** and with the trigger **(4)** released.

Always store the power tool disconnected from the battery and in a dry and warm location.

## User interface (see figure B)

The user interface **(6)** is used to select the working mode and to switch the power tool on and off.

| User interface   | Description  |
|--|--|
|  ON/OFF | The on/off button <b>(24)</b> switches the tool on and off.                                |
|  MODE   | The mode button <b>(20)</b> switches between single actuation and contact actuation.       |
|  ON     | The on/off indicator lights up when the tool is switched on.                               |
|  T      | The single actuation indicator <b>(21)</b> lights up when single actuation is activated.   |
|  T      | The contact actuation indicator <b>(22)</b> lights up when contact actuation is activated. |

### Status indications

The on/off indicator also signals the status of the power tool as described below:

**from the power tool.** There is risk of injury from unintentionally pressing the on/off switch.

- **To ensure safe and efficient operation, always keep the power tool and the ventilation slots clean.**

| Measure   | Explanation  | Action  |
|---|--|---|
| Cleaning the magazine <b>(17)</b> and magazine slider <b>(11)</b> . | Prevents a nail from becoming jammed.                          | – Blow out the mechanism of the magazine/magazine slider daily with compressed air. |
| Ensure that the discharge lock-off <b>(15)</b> functions properly.  | Promotes your work safety and efficient use of the power tool. | – Blow out the mechanism of the discharge lock-off daily with compressed air.       |

## Rectifying Faults

| Problem   | Cause   | Corrective measures   |
|---|---|---|
| The power tool is not ready for operation.                          | The battery is discharged or defective.   | – Fully recharge the battery or replace it.   |
|   | The battery is not properly inserted.   | – Make sure that the battery is firmly engaged in the handle.   |
|   | The battery temperature is too high or too low.   | – Wait until the battery has reached the optimal operating temperature again.   |
|   | The battery contacts, motor or solenoid are dirty or defective.   | – Contact an authorised Bosch after-sales service centre. Have the component replaced there.                                    |
|   | The magazine <b>(17)</b> is empty.  | – Refill the magazine (see "Loading the magazine (see figures <b>A1–A2</b> )", page 10).  |
|   | The discharge lock-off <b>(15)</b> is bent.   | – Contact an authorised Bosch after-sales service centre. Have the component replaced there.                                    |
|   | The electronic system is defective.   | – Contact an authorised Bosch after-sales service centre.   |
|   | The user interface <b>(6)</b> is defective.   | – Contact an authorised Bosch after-sales service centre.   |
| The power tool is ready for operation, but no nails are discharged. | The following components may be faulty: <ul style="list-style-type: none"> <li>– Trigger <b>(4)</b></li> <li>– Drive pin</li> <li>– Motor</li> <li>– Electronics</li> <li>– Steel spring</li> </ul> | – Contact an authorised Bosch after-sales service centre. Have the component replaced there.                                    |
|   | Foreign objects have accumulated in the shot mechanism.   | – Contact an authorised Bosch after-sales service centre. Have the component replaced there.                                    |
|   | Foreign objects have accumulated in the outlet <b>(2)</b> or in the magazine <b>(17)</b> .  | – Clean the outlet <b>(2)</b> or the magazine <b>(17)</b> .   |
|   | A nail is jammed in the shot duct.  | – Clear the jam. (see "Clearing jams (see figures <b>E1–E2</b> )", page 11)   |
|   | The magazine slider <b>(11)</b> is defective.   | – Clean the magazine slider <b>(11)</b> as required and make sure that the magazine <b>(17)</b> is not contaminated.            |
|   | The spring of the magazine slider is too weak or defective.   | – Contact an authorised Bosch after-sales service centre. Have the component replaced there.                                    |
|   | The fasteners being used are not approved.  | – Use only original accessories. Only the fasteners (nails, staples, etc.) specified in the "Technical Data" table may be used. |

| Problem   | Cause  | Corrective measures  |
|---|--|--|
|   | The magazine (17) is empty.  | <ul style="list-style-type: none"> <li>– Refill the magazine (see "Loading the magazine (see figures A1–A2)", page 10).</li> </ul>   |
|   | The fasteners have been pressed in the wrong order.                                  | <ul style="list-style-type: none"> <li>– Perform the discharging procedure again, observing the correct order of pressing when doing so.</li> <li>– Change the actuation mode via the user interface.</li> </ul> |
| The nails are driven in too deep.                                 | The depth stop is set too deep.  | <ul style="list-style-type: none"> <li>– Adjust the depth stop to the required depth (see "Adjusting the depth stop (see figure D)", page 11).</li> </ul>  |
|   | The buffer is worn.  | <ul style="list-style-type: none"> <li>– Contact an authorised Bosch after-sales service centre. Have the component replaced there.</li> </ul>   |
| The nails are not driven in deep enough.                          | The battery is discharged or defective.  | <ul style="list-style-type: none"> <li>– Fully recharge the battery or replace it.</li> </ul>  |
|   | The fasteners are too long.  | <ul style="list-style-type: none"> <li>– Use only original accessories. Only the fasteners (nails, staples, etc.) specified in the "Technical Data" table may be used.</li> </ul>                                |
|   | The depth stop is set too high.  | <ul style="list-style-type: none"> <li>– Adjust the depth stop to the required depth (see "Adjusting the depth stop (see figure D)", page 11).</li> </ul>  |
| The power tool skips nails or has a cycle feed that is too large. | The fasteners being used are not approved.   | <ul style="list-style-type: none"> <li>– Use only original accessories. Only the fasteners (nails, staples, etc.) specified in the "Technical Data" table may be used.</li> </ul>                                |
|   | The spring of the magazine slider is too weak or defective.                          | <ul style="list-style-type: none"> <li>– Contact an authorised Bosch after-sales service centre. Have the component replaced there.</li> </ul>   |
| Nails are frequently jamming in the shot duct.                    | The fasteners being used are not approved.   | <ul style="list-style-type: none"> <li>– Use only original accessories. Only the fasteners (nails, staples, etc.) specified in the "Technical Data" table may be used.</li> </ul>                                |
|   | The nails are old, the adhesive between the nails has lost its retention force.      | <ul style="list-style-type: none"> <li>– Use a new nail strip</li> </ul>   |
| The driven nails are bent.  | The drive pin is damaged.  | <ul style="list-style-type: none"> <li>– Contact an authorised Bosch after-sales service centre. Have the component replaced there.</li> </ul>   |
|   | The nailer is being used on a material that is not permitted (e.g. concrete, stone). | <ul style="list-style-type: none"> <li>– Only use the nailer on permitted materials (see "Intended Use", page 8).</li> </ul>   |

## After-Sales Service and Application Service

### Great Britain

Tel. Service: (0344) 7360109

### GB Importer:

Robert Bosch Ltd.  
Broadwater Park  
North Orbital Road  
Uxbridge  
UB9 5HJ

### Malaysia

Tel.: (03) 79663194

In all correspondence and spare parts orders, please always include the 10-digit article number given on the nameplate of the product.

### Disposal

Power tools, rechargeable batteries, accessories and packaging should be sorted for environmental-friendly recycling.



Do not dispose of power tools and batteries/rechargeable batteries into household waste!

### Only for EU countries and United Kingdom:

Electrical and electronic equipment or used batteries that are no longer suitable for use must be collected separately and disposed of in an environmentally friendly manner. Use the designated collection systems. Incorrect disposal may cause harmful effects on the environment and human health, due to the potential presence of hazardous substances.

## Product Data Information according to regulation (EU) 2023/2854

Connected products or related services generate data during their use. The following sections inform about the generated data related to the product and how the product data can be accessed.

### Type of Product Data

The product may generate the following type of data during its use. The actual generated data depends on the particular usage of the product.

- Failure and protection events
- Battery cell information
- Charging information

### Product Data Logging

Information about collection of product data and data storage:

- Less than 4 kB of product data is logged.
- The product is capable to store product data on-device while the product is powered on.

### Data Access and Data Format

Information how data can be accessed or retrieved by the user:

- Within the EU the user can request the product data via Bosch Power Tools service (email: **PT-Service.EU-DataAct@de.bosch.com**), if the user sends the device to a Bosch service.
- The data is provided in a commonly used and machine-readable format (e.g., JSON).

# Legal Information and Licenses

## GCE-Math, commit:

**8422f5307b0498d09cf626f38acb03fe9f1efd94**

License ID: Apache-2.0

Copyright: Copyright 2016-2023 Keith O'Hara

Licensed under the Apache License, Version 2.0 (the "License"); you may not use this file except in compliance with the License

You may obtain a copy of the License at

<http://www.apache.org/licenses/LICENSE-2.0>

Unless required by applicable law or agreed to in writing, software distributed under the License is distributed on an "AS IS" BASIS, WITHOUT WARRANTIES OR CONDITIONS OF ANY KIND, either express or implied.

License Text Reference: LICENSE\_REF\_1

## CMIS\_5, v5.9.0

License ID: Apache-2.0

Copyright 2009-2020 Arm Limited. All rights reserved.

Licensed under the Apache License, Version 2.0 (the "License"); you may not use this file except in compliance with the License.

You may obtain a copy of the License at

<http://www.apache.org/licenses/LICENSE-2.0>

Unless required by applicable law or agreed to in writing, software distributed under the License is distributed on an "AS IS" BASIS, WITHOUT WARRANTIES OR CONDITIONS OF ANY KIND, either express or implied. See the License for the specific language governing permissions and limitations under the License.

License Text Reference: LICENSE\_REF\_1

## Infineon TLE987x DFP, v1.4.6

License ID: BSD-3-Clause

Copyright: Copyright (c) 2015-2017, Infineon Technologies AG. All rights reserved.

License Text Reference: LICENSE\_REF\_2

## Libfixmath, commit:

**24488b16cc0359daada0682a9bd3a11a801d0a01**

License ID: MIT

Copyright: Copyright (c) 2011-2021 Flatmush

<Flatmush@gmail.com>, Petteri Aimonen

<Petteri.Aimonen@gmail.com>, & libfixmath AUTHORS

License Text Reference: LICENSE\_REF\_3

## MFixedPoint, v8.0.2

License ID: MIT

Copyright: Copyright 2018 Geoffrey Hunter

License Text Reference: LICENSE\_REF\_3

## tiny-AES-c, commit:

**f06ac37fc31dfdac2e0d9bec83f90d5663c319b**

License ID: Unlicense

Copyright: Copyright 2021 kokke

License Text Reference: LICENSE\_REF\_4

## picolibc, v1.8.8

License Name: picolibc software licenses

License Text Reference: LICENSE\_REF\_5

## LICENSE\_REF\_1:

Apache License

Version 2.0, January 2004

<http://www.apache.org/licenses/>

## TERMS AND CONDITIONS FOR USE, REPRODUCTION, AND DISTRIBUTION

### 1. Definitions.

"License" shall mean the terms and conditions for use, reproduction, and distribution as defined by Sections 1 through 9 of this document.

"Licensor" shall mean the copyright owner or entity authorized by the copyright owner that is granting the License.

"Legal Entity" shall mean the union of the acting entity and all other entities that control, are controlled by, or are under common control with that entity. For the purposes of this definition, "control" means (i) the power, direct or indirect, to cause the direction or management of such entity, whether by contract or otherwise, or (ii) ownership of fifty percent (50%) or more of the outstanding shares, or (iii) beneficial ownership of such entity.

"You" or ("Your") shall mean an individual or Legal Entity exercising permissions granted by this License.

"Source" form shall mean the preferred form for making modifications, including but not limited to software source code, documentation source, and configuration files.

"Object" form shall mean any form resulting from mechanical transformation or translation of a Source form, including but not limited to compiled object code, generated documentation, and conversions to other media types.

"Work" shall mean the work of authorship, whether in Source or Object form, made available under the License, as indicated by a copyright notice that is included in or attached to the work (an example is provided in the Appendix below).

"Derivative Works" shall mean any work, whether in Source or Object form, that is based on (or derived from) the Work and for which the editorial revisions, annotations, elaborations, or other modifications represent, as a whole, an original work of authorship. For the purposes of this License, Derivative Works shall not include works that remain separable from, or merely link (or bind by name) to the interfaces of, the Work and Derivative Works thereof.

"Contribution" shall mean any work of authorship, including the original version of the Work and any modifications or additions to that Work or Derivative Works thereof, that is intentionally submitted to Licensor for inclusion in the Work by the copyright owner or by an individual or Legal Entity authorized to submit on behalf of the copyright owner. For the purposes of this definition, "submitted" means any form of electronic, verbal, or written communication sent to the Licensor or its representatives, including but not limited to communication on electronic mailing lists, source code control systems, and issue tracking systems that are managed by, or on behalf of, the Licensor for the purpose of discussing and improving the Work, but excluding communication that is conspicuously marked or otherwise designated in writing by the copyright owner as "Not a Contribution."

"Contributor" shall mean Licensor and any individual or Legal Entity on behalf of whom a Contribution has been received by Licensor and subsequently incorporated within the Work.

- Grant of Copyright License. Subject to the terms and conditions of this License, each Contributor hereby grants to You a perpetual, worldwide, non-exclusive, no-charge, royalty-free, irrevocable copyright license to reproduce, prepare Derivative Works of, publicly display, publicly perform, sublicense, and distribute the Work and such Derivative Works in Source or Object form.

3. Grant of Patent License. Subject to the terms and conditions of this License, each Contributor hereby grants to You a perpetual, worldwide, non-exclusive, no-charge, royalty-free, irrevocable (except as stated in this section) patent license to make, have made, use, offer to sell, sell, import, and otherwise transfer the Work, where such license applies only to those patent claims licensable by such Contributor that are necessarily infringed by their Contribution(s) alone or by combination of their Contribution(s) with the Work to which such Contribution(s) was submitted. If You institute patent litigation against any entity (including a cross-claim or counterclaim in a lawsuit) alleging that the Work or a Contribution incorporated within the Work constitutes direct or contributory patent infringement, then any patent licenses granted to You under this License for that Work shall terminate as of the date such litigation is filed.
4. Redistribution. You may reproduce and distribute copies of the Work or Derivative Works thereof in any medium, with or without modifications, and in Source or Object form, provided that You meet the following conditions:

(a) You must give any other recipients of the Work or Derivative Works a copy of this License; and

(b) You must cause any modified files to carry prominent notices stating that You changed the files; and

(c) You must retain, in the Source form of any Derivative Works that You distribute, all copyright, patent, trademark, and attribution notices from the Source form of the Work, excluding those notices that do not pertain to any part of the Derivative Works; and

(d) If the Work includes a "NOTICE" text file as part of its distribution, then any Derivative Works that You distribute must include a readable copy of the attribution notices contained within such NOTICE file, excluding those notices that do not pertain to any part of the Derivative Works, in at least one of the following places: within a NOTICE text file distributed as part of the Derivative Works; within the Source form or documentation, if provided along with the Derivative Works; or, within a display generated by the Derivative Works, if and wherever such third-party notices normally appear. The contents of the NOTICE file are for informational purposes only and do not modify the License. You may add Your own attribution notices within Derivative Works that You distribute, alongside or as an addendum to the NOTICE text from the Work, provided that such additional attribution notices cannot be construed as modifying the License.

You may add Your own copyright statement to Your modifications and may provide additional or different license terms and conditions for use, reproduction, or distribution of Your modifications, or for any such Derivative Works as a whole, provided Your use, reproduction, and distribution of the Work otherwise complies with the conditions stated in this License.

5. Submission of Contributions. Unless You explicitly state otherwise, any Contribution intentionally submitted for inclusion in the Work by You to the Licensor shall be under the terms and conditions of this License, without any additional terms or conditions.
6. Trademarks. This License does not grant permission to use the trade names, trademarks, service marks, or product names of the Licensor, except as required for reasonable and customary use in describing the origin of the Work and reproducing the content of the NOTICE file.
7. Disclaimer of Warranty. Unless required by applicable law or agreed to in writing, Licensor provides the Work (and each Contributor provides its Contributions) on an "AS IS" BASIS, WITHOUT WARRANTIES OR CONDITIONS OF ANY KIND, either express or implied, including, without limitation, any warranties or conditions of TITLE, NON-INFRINGEMENT, MERCHANTABILITY, or FITNESS FOR A PARTICULAR PURPOSE. You are solely

responsible for determining the appropriateness of using or redistributing the Work and assume any risks associated with Your exercise of permissions under this License.

8. Limitation of Liability. In no event and under no legal theory, whether in tort (including negligence), contract, or otherwise, unless required by applicable law (such as deliberate and grossly negligent acts) or agreed to in writing, shall any Contributor be liable to You for damages, including any direct, indirect, special, incidental, or consequential damages of any character arising as a result of this License or out of the use or inability to use the Work (including but not limited to damages for loss of goodwill, work stoppage, computer failure or malfunction, or any and all other commercial damages or losses), even if such Contributor has been advised of the possibility of such damages.
9. Accepting Warranty or Additional Liability. While redistributing the Work or Derivative Works thereof, You may choose to offer, and charge a fee for, acceptance of support, warranty, indemnity, or other liability obligations and/or rights consistent with this License. However, in accepting such obligations, You may act only on Your own behalf and on Your sole responsibility, not on behalf of any other Contributor, and only if You agree to indemnify, defend, and hold each Contributor harmless for any liability incurred by, or claims asserted against, such Contributor by reason of your accepting any such warranty or additional liability.

#### END OF TERMS AND CONDITIONS

#### LICENSE\_REF\_2:

Redistribution and use in source and binary forms, with or without modification, are permitted provided that the following conditions are met:

Redistributions of source code must retain the above copyright notice, this list of conditions and the following disclaimer.

Redistributions in binary form must reproduce the above copyright notice, this list of conditions and the following disclaimer in the documentation and/or other materials provided with the distribution.

Neither the name of the copyright holders nor the names of its contributors may be used to endorse or promote products derived from this software without specific prior written permission.

THIS SOFTWARE IS PROVIDED BY THE COPYRIGHT HOLDERS AND CONTRIBUTORS "AS IS" AND ANY EXPRESS OR IMPLIED WARRANTIES, INCLUDING, BUT NOT LIMITED TO, THE IMPLIED WARRANTIES OF MERCHANTABILITY AND FITNESS FOR A PARTICULAR PURPOSE ARE DISCLAIMED. IN NO EVENT SHALL THE COPYRIGHT HOLDER OR CONTRIBUTORS BE LIABLE FOR ANY DIRECT, INDIRECT, INCIDENTAL, SPECIAL, EXEMPLARY, OR CONSEQUENTIAL DAMAGES (INCLUDING, BUT NOT LIMITED TO, PROCUREMENT OF SUBSTITUTE GOODS OR SERVICES; LOSS OF USE, DATA, OR PROFITS; OR BUSINESS INTERRUPTION) HOWEVER CAUSED AND ON ANY THEORY OF LIABILITY, WHETHER IN CONTRACT, STRICT LIABILITY, OR TORT (INCLUDING NEGLIGENCE OR OTHERWISE) ARISING IN ANY WAY OUT OF THE USE OF THIS SOFTWARE, EVEN IF ADVISED OF THE POSSIBILITY OF SUCH DAMAGE.

#### LICENSE\_REF\_3:

Permission is hereby granted, free of charge, to any person obtaining a copy of this software and associated documentation files (the "Software"), to deal in the Software without restriction, including without limitation the rights to use, copy, modify, merge, publish, distribute, sublicense, and/or sell copies of the Software, and to permit persons to whom the Software is furnished to do so, subject to the following conditions:

The above copyright notice and this permission notice (including the next paragraph) shall be included in all copies or substantial portions of the Software.

THE SOFTWARE IS PROVIDED "AS IS", WITHOUT WARRANTY OF ANY KIND, EXPRESS OR IMPLIED, INCLUDING BUT NOT LIMITED TO THE

WARRANTIES OF MERCHANTABILITY, FITNESS FOR A PARTICULAR PURPOSE AND NONINFRINGEMENT. IN NO EVENT SHALL THE AUTHORS OR COPYRIGHT HOLDERS BE LIABLE FOR ANY CLAIM, DAMAGES OR OTHER LIABILITY, WHETHER IN AN ACTION OF CONTRACT, TORT OR OTHERWISE, ARISING FROM, OUT OF OR IN CONNECTION WITH THE SOFTWARE OR THE USE OR OTHER DEALINGS IN THE SOFTWARE.

#### LICENSE\_REF\_4:

This is free and unencumbered software released into the public domain.

Anyone is free to copy, modify, publish, use, compile, sell, or distribute this software, either in source code form or as a compiled binary, for any purpose, commercial or non-commercial, and by any means.

In jurisdictions that recognize copyright laws, the author or authors of this software dedicate any and all copyright interest in the software to the public domain. We make this dedication for the benefit of the public at large and to the detriment of our heirs and successors. We intend this dedication to be an overt act of relinquishment in perpetuity of all present and future rights to this software under copyright law.

THE SOFTWARE IS PROVIDED "AS IS", WITHOUT WARRANTY OF ANY KIND, EXPRESS OR IMPLIED, INCLUDING BUT NOT LIMITED TO THE WARRANTIES OF MERCHANTABILITY, FITNESS FOR A PARTICULAR PURPOSE AND NONINFRINGEMENT.

IN NO EVENT SHALL THE AUTHORS BE LIABLE FOR ANY CLAIM, DAMAGES OR OTHER LIABILITY, WHETHER IN AN ACTION OF CONTRACT, TORT OR OTHERWISE, ARISING FROM, OUT OF OR IN CONNECTION WITH THE SOFTWARE OR THE USE OR OTHER DEALINGS IN THE SOFTWARE.

For more information, please refer to <http://unlicense.org/>

#### LICENSE\_REF\_5:

Contains code from projects picolibc under the following licenses:

**(1) Copyright (c) 2001 Mike Barcroft <mike@FreeBSD.org> All rights reserved.**

**(2) Copyright 2002 Jeff Johnston <jjohnstn@redhat.com>**

Redistribution and use in source and binary forms, with or without modification, are permitted provided that the following conditions are met:

1. Redistributions of source code must retain the above copyright notice, this list of conditions and the following disclaimer.
2. Redistributions in binary form must reproduce the above copyright notice, this list of conditions and the following disclaimer in the documentation and/or other materials provided with the distribution.

THIS SOFTWARE IS PROVIDED BY THE AUTHOR AND CONTRIBUTORS "AS IS" AND ANY EXPRESS OR IMPLIED WARRANTIES, INCLUDING, BUT NOT LIMITED TO, THE IMPLIED WARRANTIES OF MERCHANTABILITY AND FITNESS FOR A PARTICULAR PURPOSE ARE DISCLAIMED. IN NO EVENT SHALL THE AUTHOR OR CONTRIBUTORS BE LIABLE FOR ANY DIRECT, INDIRECT, INCIDENTAL, SPECIAL, EXEMPLARY, OR CONSEQUENTIAL DAMAGES (INCLUDING, BUT NOT LIMITED TO, PROCUREMENT OF SUBSTITUTE GOODS OR SERVICES; LOSS OF USE, DATA, OR PROFITS; OR BUSINESS INTERRUPTION) HOWEVER CAUSED AND ON ANY THEORY OF LIABILITY, WHETHER IN CONTRACT, STRICT LIABILITY, OR TORT (INCLUDING NEGLIGENCE OR OTHERWISE) ARISING IN ANY WAY OUT OF THE USE OF THIS SOFTWARE, EVEN IF ADVISED OF THE POSSIBILITY OF SUCH DAMAGE.

**(3) Copyright 2019, 2020, 2021, 2024 Keith Packard Stephen Street**

**(4) Copyright 1997 Nick Clifton, Cygnus Solutions**

Redistribution and use in source and binary forms, with or without modification, are permitted provided that the following conditions are met:

1. Redistributions of source code must retain the above copyright notice, this list of conditions and the following disclaimer.
2. Redistributions in binary form must reproduce the above copyright notice, this list of conditions and the following disclaimer in the documentation and/or other materials provided with the distribution.
3. Neither the name of the copyright holder nor the names of its contributors may be used to endorse or promote products derived from this software without specific prior written permission.

THIS SOFTWARE IS PROVIDED BY THE COPYRIGHT HOLDERS AND CONTRIBUTORS "AS IS" AND ANY EXPRESS OR IMPLIED WARRANTIES, INCLUDING, BUT NOT LIMITED TO, THE IMPLIED WARRANTIES OF MERCHANTABILITY AND FITNESS FOR A PARTICULAR PURPOSE ARE DISCLAIMED. IN NO EVENT SHALL THE COPYRIGHT HOLDER OR CONTRIBUTORS BE LIABLE FOR ANY DIRECT, INDIRECT, INCIDENTAL, SPECIAL, EXEMPLARY, OR CONSEQUENTIAL DAMAGES INCLUDING, BUT NOT LIMITED TO, PROCUREMENT OF SUBSTITUTE GOODS OR SERVICES; LOSS OF USE, DATA, OR PROFITS; OR BUSINESS INTERRUPTION) HOWEVER CAUSED AND ON ANY THEORY OF LIABILITY, WHETHER IN CONTRACT, STRICT LIABILITY, OR TORT (INCLUDING NEGLIGENCE OR OTHERWISE) ARISING IN ANY WAY OUT OF THE USE OF THIS SOFTWARE, EVEN IF ADVISED OF THE POSSIBILITY OF SUCH DAMAGE.

#### (5) Copyright 2024, Synopsys, Inc.

Redistribution and use in source and binary forms, with or without modification, are permitted provided that the following conditions are met:

1. Redistributions of source code must retain the above copyright notice, this list of conditions and the following disclaimer.
2. Redistributions in binary form must reproduce the above copyright notice, this list of conditions and the following disclaimer in the documentation and/or other materials provided with the distribution.
3. Neither the name of the Synopsys, Inc., nor the names of its contributors may be used to endorse or promote products derived from this software without specific prior written permission.

THIS SOFTWARE IS PROVIDED BY THE COPYRIGHT HOLDERS AND CONTRIBUTORS "AS IS" AND ANY EXPRESS OR IMPLIED WARRANTIES, INCLUDING, BUT NOT LIMITED TO, THE IMPLIED WARRANTIES OF MERCHANTABILITY AND FITNESS FOR A PARTICULAR PURPOSE ARE DISCLAIMED. IN NO EVENT SHALL THE COPYRIGHT HOLDER OR CONTRIBUTORS BE LIABLE FOR ANY DIRECT, INDIRECT, INCIDENTAL, SPECIAL, EXEMPLARY, OR CONSEQUENTIAL DAMAGES (INCLUDING, BUT NOT LIMITED TO, PROCUREMENT OF SUBSTITUTE GOODS OR SERVICES; LOSS OF USE, DATA, OR PROFITS; OR BUSINESS INTERRUPTION) HOWEVER CAUSED AND ON ANY THEORY OF LIABILITY, WHETHER IN CONTRACT, STRICT LIABILITY, OR TORT (INCLUDING NEGLIGENCE OR OTHERWISE) ARISING IN ANY WAY OUT OF THE USE OF THIS SOFTWARE, EVEN IF ADVISED OF THE POSSIBILITY OF SUCH DAMAGE.

#### (6) Copyright (c) 1983, 1993 The Regents of the University of California.

All rights reserved.

Redistribution and use in source and binary forms, with or without modification, are permitted provided that the following conditions are met:

1. Redistributions of source code must retain the above copyright notice, this list of conditions and the following disclaimer.
2. Redistributions in binary form must reproduce the above copyright notice, this list of conditions and the following disclaimer in the documentation and/or other materials provided with the distribution.
3. Neither the name of the University nor the names of its contributors may be used to endorse or promote products derived from this software without specific prior written permission.

THIS SOFTWARE IS PROVIDED BY THE REGENTS AND CONTRIBUTORS ``AS IS'' AND ANY EXPRESS OR IMPLIED WARRANTIES, INCLUDING, BUT NOT LIMITED TO, THE IMPLIED WARRANTIES OF MERCHANTABILITY AND FITNESS FOR A PARTICULAR PURPOSE ARE DISCLAIMED. IN NO EVENT SHALL THE REGENTS OR CONTRIBUTORS BE LIABLE FOR ANY DIRECT, INDIRECT, INCIDENTAL, SPECIAL, EXEMPLARY, OR CONSEQUENTIAL DAMAGES (INCLUDING, BUT NOT LIMITED TO, PROCUREMENT OF SUBSTITUTE GOODS OR SERVICES; LOSS OF USE, DATA, OR PROFITS; OR BUSINESS INTERRUPTION) HOWEVER CAUSED AND ON ANY THEORY OF LIABILITY, WHETHER IN CONTRACT, STRICT LIABILITY, OR TORT (INCLUDING NEGLIGENCE OR OTHERWISE) ARISING IN ANY WAY OUT OF THE USE OF THIS SOFTWARE, EVEN IF ADVISED OF THE POSSIBILITY OF SUCH DAMAGE.

#### **(7) Copyright 2009-2015 ARM Ltd**

Redistribution and use in source and binary forms, with or without modification, are permitted provided that the following conditions are met:

1. Redistributions of source code must retain the above copyright notice, this list of conditions and the following disclaimer.
2. Redistributions in binary form must reproduce the above copyright notice, this list of conditions and the following disclaimer in the documentation and/or other materials provided with the distribution.
3. The name of the company may not be used to endorse or promote products derived from this software without specific prior written permission.

THIS SOFTWARE IS PROVIDED BY ARM LTD ``AS IS'' AND ANY EXPRESS OR IMPLIED WARRANTIES, INCLUDING, BUT NOT LIMITED TO, THE IMPLIED WARRANTIES OF MERCHANTABILITY AND FITNESS FOR A PARTICULAR PURPOSE ARE DISCLAIMED. IN NO EVENT SHALL ARM LTD BE LIABLE FOR ANY DIRECT, INDIRECT, INCIDENTAL, SPECIAL, EXEMPLARY, OR CONSEQUENTIAL DAMAGES (INCLUDING, BUT NOT LIMITED TO, PROCUREMENT OF SUBSTITUTE GOODS OR SERVICES; LOSS OF USE, DATA, OR PROFITS; OR BUSINESS INTERRUPTION) HOWEVER CAUSED AND ON ANY THEORY OF LIABILITY, WHETHER IN CONTRACT, STRICT LIABILITY, OR TORT (INCLUDING NEGLIGENCE OR OTHERWISE) ARISING IN ANY WAY OUT OF THE USE OF THIS SOFTWARE, EVEN IF ADVISED OF THE POSSIBILITY OF SUCH DAMAGE.

#### **(8) Copyright 2009-2015 Linaro Limited**

Redistribution and use in source and binary forms, with or without modification, are permitted provided that the following conditions are met:

Redistributions of source code must retain the above copyright notice, this list of conditions and the following disclaimer.

Redistributions in binary form must reproduce the above copyright notice, this list of conditions and the following disclaimer in the documentation and/or other materials provided with the distribution.

Neither the name of Linaro Limited nor the names of its contributors may be used to endorse or promote products derived from this software without specific prior written permission.

THIS SOFTWARE IS PROVIDED BY THE COPYRIGHT HOLDERS AND CONTRIBUTORS AS IS AND ANY EXPRESS OR IMPLIED WARRANTIES, INCLUDING, BUT NOT LIMITED TO, THE IMPLIED WARRANTIES OF MERCHANTABILITY AND FITNESS FOR A PARTICULAR PURPOSE ARE DISCLAIMED. IN NO EVENT SHALL THE COPYRIGHT HOLDER OR CONTRIBUTORS BE LIABLE FOR ANY DIRECT, INDIRECT, INCIDENTAL, SPECIAL, EXEMPLARY, OR CONSEQUENTIAL DAMAGES (INCLUDING, BUT NOT LIMITED TO, PROCUREMENT OF SUBSTITUTE GOODS OR SERVICES; LOSS OF USE, DATA, OR PROFITS; OR BUSINESS INTERRUPTION) HOWEVER CAUSED AND ON ANY THEORY OF LIABILITY, WHETHER IN CONTRACT, STRICT LIABILITY, OR TORT (INCLUDING NEGLIGENCE OR OTHERWISE) ARISING IN ANY WAY OUT OF THE USE OF THIS SOFTWARE, EVEN IF ADVISED OF THE POSSIBILITY OF SUCH DAMAGE.

#### **(9) Copyright 1994 Cygnus Support**

Redistribution and use in source and binary forms are permitted provided that the above copyright notice and this paragraph are duplicated in all such forms and that any documentation, and/or other materials related to such distribution and use acknowledge that the software was developed at Cygnus Support, Inc. Cygnus Support, Inc. may not be used to endorse or promote products derived from this software without specific prior written permission.

THIS SOFTWARE IS PROVIDED ``AS IS'' AND WITHOUT ANY EXPRESS OR IMPLIED WARRANTIES, INCLUDING, WITHOUT LIMITATION, THE IMPLIED WARRANTIES OF MERCHANTABILITY AND FITNESS FOR A PARTICULAR PURPOSE.

#### **WARRANTY DISCLAIMER**

This product contains Open Source Software components which underlie Open Source Software Licenses. Please note that Open Source Licenses contain disclaimer clauses. The text of the Open Source Licenses that apply are included in this manual under "Legal Information and Licenses".



Servicekontakte  
Service Contacts  
Contacts de Service  
Contactos de Servicio



<https://www.bosch-pt.com/serviceaddresses>

Garantiebedingungen  
Guarantee Conditions  
Conditions de Garantie  
Condiciones de Garantía



<https://www.bosch-pt.com/guarantee/202601>